

WJB 銅自潤軸承 (特殊規格尺寸可依圖訂製)

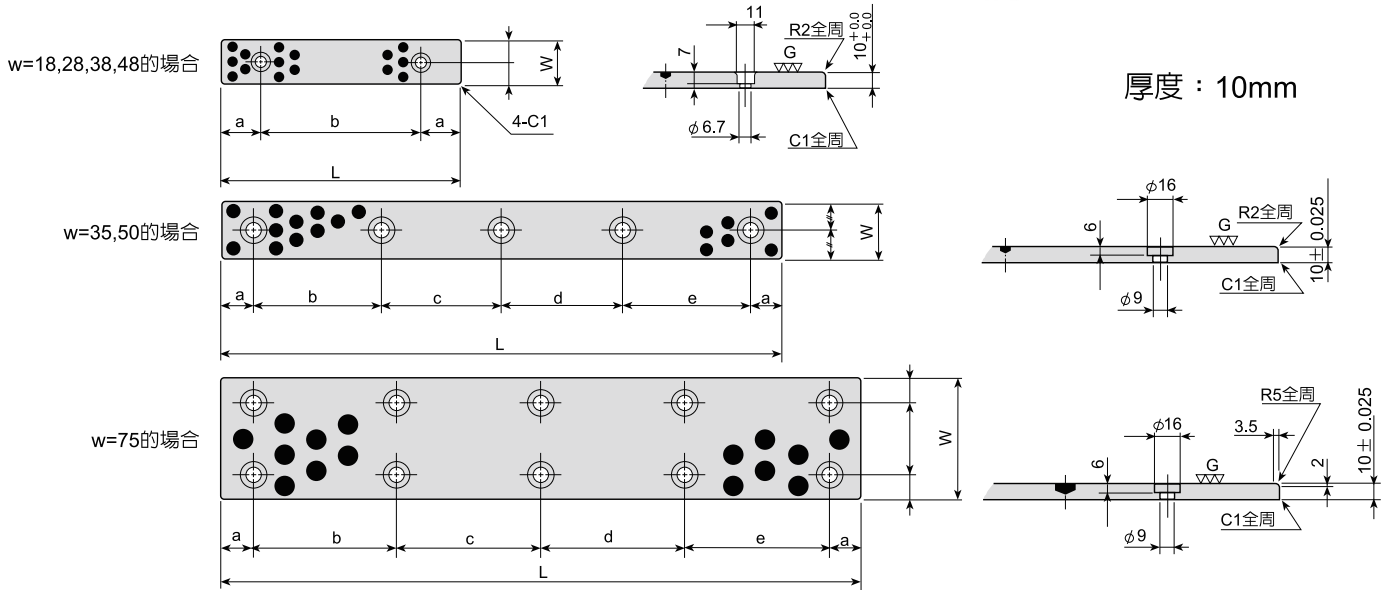
特殊銅合金系

平面型自潤軸承

平面耐磨板(SFP)(#500SP)



厚度：10mm



WJB 銅自潤軸承

型號	寬度	長度	裝配孔之孔距					裝配螺絲	
	W	L	a	b	c	d	e	螺絲規格	個數
SFP-1875	18	75	15	45				M6六角承窩螺絲	2
SFP-18100	"	100	25	50				"	2
SFP-18125	"	125	25	75				"	2
SFP-18150	"	150	25	100				"	2
SFP-2875	28	75	15	45				"	2
SFP-28100	"	100	25	50				"	2
SFP-28125	"	125	25	75				"	2
SFP-28150	"	150	25	100				"	2
SFP-35100	35	100	20	60				M8平頭小螺釘	2
SFP-35150	"	150	20	55	55			"	3
SFP-35200	"	200	20	55	50	55		"	4
SFP-35250	"	250	20	70	70	70		"	4
SFP-35300	"	300	20	65	65	65	65	"	5
SFP-35350	"	350	20	80	75	75	80	"	5
SFP-3875	38	75	15	45				M6六角承窩螺絲	2
SFP-38100	"	100	25	50				"	2
SFP-38125	"	125	25	75				"	2
SFP-38150	"	150	25	100				"	2
SFP-4875	48	75	15	45				"	2
SFP-48100	"	100	25	50				"	2
SFP-48125	"	125	25	75				"	2
SFP-48150	"	150	25	100				"	2
SFP-50100	50	100	20	60				M8平頭小螺釘	2
SFP-50150	"	150	20	55	55			"	3
SFP-50200	"	200	20	55	50	55		"	4
SFP-50250	"	250	20	70	70	70		"	4
SFP-50300	"	300	20	65	65	65	65	"	5
SFP-50400	"	400	20	90	90	90	90	"	5
SFP-75150	75	150	20	110				"	4
SFP-75200	"	200	20	80	80			"	6
SFP-75250	"	250	20	105	105			"	6
SFP-75300	"	300	20	85	90	85		"	8
SFP-75400	"	400	20	120	120	120		"	8
SFP-75500	"	500	20	115	115	115	115	"	10

訂購型號

SFP-
寬度 長度